



OPERATION MANUAL

VRV SYSTEM Inverter Air Conditioners

MODELS

Ceiling-mounted Duct type

FXMQ30MVJU

FXMQ36MVJU

FXMQ48MVJU

Ceiling-mounted Built-in type

FXSQ12MVJU

FXSQ30MVJU

FXSQ18MVJU

FXSQ36MVJU

FXSQ24MVJU

FXSQ48MVJU

Read these instructions carefully before installation.
Keep this manual in a handy place for future reference.
This manual should be left with the equipment owner.


SAFETY CONSIDERATIONS


Please read these "SAFETY CONSIDERATIONS" carefully before installing air conditioning equipment and be sure to install it correctly. After completing the installation, make sure that the unit operates properly during the start-up operation. Please instruct the customer on how to operate the unit and keep it maintained.


Also, inform customers that they should store this operation manual along with the installation manual for future reference.

This air conditioner comes under the term "appliances not accessible to the general public".

Meaning of warning, caution and note symbols.

 **WARNING**Indication a potentially hazardous situation which, if not avoided, could result in death or serious injury.

 **CAUTION**Indication a potentially hazardous situation which, if not avoided, may result in minor or moderate injury. It may also be used to alert against unsafe practices.

 **NOTE**Indication situation that may result in equipment or property-damage-only accidents.

Keep these warning sheets handy so that you can refer to them if needed.

Also, if this equipment is transferred to a new user, make sure to hand over this operation manual to the new user.

WARNING

- **It is not good for your health to expose your body to the air flow for a long time.**
- **In order to avoid electric shock, fire or injury, or if you detect any abnormality such as smell of fire, turn off power and call your dealer for instructions.**
- **Ask your dealer for installation of the air conditioner.** Incomplete installation performed by yourself may result in a water leakage, electric shock, and fire.
- **Ask your dealer for improvement, repair, and maintenance.** Incomplete improvement, repair, and maintenance may result in a water leakage, electric shock, and fire.
- **The refrigerant in the air conditioner is safe and normally does not leak. If the refrigerant leaks inside the room, the contact with a fire of a burner, a heater or a cooker may result in a harmful gas.** Do not use the air conditioner until when a service person confirms to finish repairing the portion where the refrigerant leaks.
- **For refrigerant leakage, consult your dealer.** When the air conditioner is to be installed in a small room, it is necessary to take proper measures so that the amount of any leaked refrigerant does not exceed the limiting concentration even when it leaks. If the refrigerant leaks exceeding the level of limiting concentration, an oxygen deficiency accident may happen.
- **Improper installation or attachment of equipment or accessories could result in electric shock, short-circuit, leaks, fire or other damage to the equipment. Be sure only to use accessories made by Daikin which are specifically designed for use with the equipment and have them installed by a professional.**

- **Ask your dealer to move and reinstall the air conditioner.** Incomplete installation may result in a water leakage, electric shock, and fire.
- **Never let the indoor unit or the remote controller get wet.** It may cause an electric shock or a fire.
- **Never use flammable spray such as hair spray, lacquer or paint near the unit.** It may cause a fire.
- **Never replace a fuse with that of wrong ampere ratings or other wires when a fuse blows out.** Use of wire or copper wire may cause the unit to break down or cause a fire.
- **Never remove the fan guard of the unit.** A fan rotating at high speed without the fan guard is very dangerous.
- **Never inspect or service the unit by yourself.** Ask a qualified service person to perform this work.
- **To prevent refrigerant leak, contact your dealer.** When the system is installed and run in a small room, it is required to keep the concentration of the refrigerant, if by and chance coming out, below the limit. Otherwise, oxygen in the room may be affected, resulting in a serious accident.
- **Cut off all electric waves before maintenance.**
- **To avoid the risk of serious electrical shock, never sprinkle or spill water or liquids on the unit.**
- **Do not install the air conditioner at any place where flammable gas may leak out.** If the gas leaks out and stays around the air conditioner, a fire may break out.
- **Do not touch the switch with wet fingers.** Touching a switch with wet fingers can cause electric shock.

CAUTION

- **Do not use the air conditioner for other purposes.** In order to avoid any quality deterioration, do not use the unit for cooling precision instruments, food, plants, animals or works of art.
- **To avoid oxygen deficiency, ventilate the room sufficiently if equipment with burner is used together with the air conditioner.**
- **After a long use, check the unit stand and fitting for damage.** If they are left in a damaged condition, the unit may fall and result in injury.
- **Do not allow a child to mount on the unit or avoid placing any object on it.** Falling or tumbling may result in injury.
- **Do not let children play on and around the unit.** If they touch the unit carelessly, it may result in injury.
- **Do not place a flower vase and anything containing water.** Water may enter the unit, causing an electric shock or fire.

- **Never touch the internal parts of the controller.**
Do not remove the front panel. Some parts inside are dangerous to touch, and a machine trouble may happen. For checking and adjusting the internal parts, contact your dealer.
 - **Avoid placing the controller in a spot splashed with water.**
Water coming inside the machine may cause an electric leak or may damage the internal electronic parts.
 - **Do not operate the air conditioner when using a room fumigation - type insecticide.**
Failure to observe could cause the chemicals to become deposited in the unit, which could endanger the health of those who are hypersensitive to chemicals.
 - **Do not put a finger, a rod or other objects into the air inlet or outlet. As the fan is rotating at high speed, it will cause injury.**
 - **Do not touch the heat exchanger fins.**
Improper handling may result in injury.
 - **Safely dispose of the packing materials.**
Packing materials, such as nails and other metal or wooden parts, may cause stabs or other injuries.
Tear apart and throw away plastic packaging bags so that children will not play with them. If children play with a plastic bag which was not torn apart, they face the risk of suffocation.
 - **Do not turn off the power immediately after stopping operation.**
Always wait at least five minutes before turning off the power. Otherwise, water leakage and trouble may occur.
 - **The appliance is not intended for use by young children or infirm persons without supervision.**
 - **The remote controller should be installed in such away that children cannot play with it.**
-

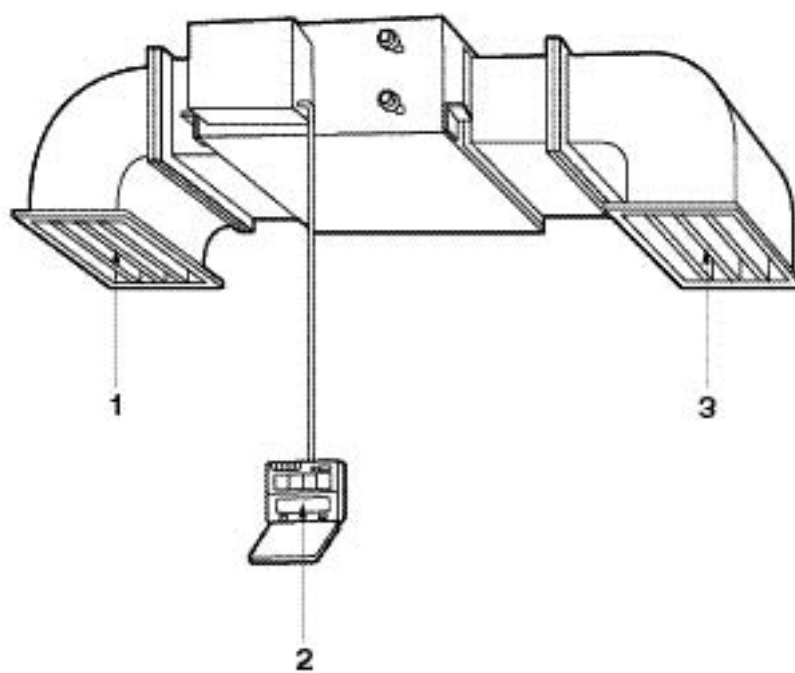


NOTE

- **Never touch the air outlet or the horizontal blades while the swing flap is in operation.**
Fingers may become caught or the unit may break down.
- **Never press the button of the remote controller with a hard, pointed object.**
The remote controller may be damaged.
- **Never pull or twist the electric wire of the remote controller.**
It may cause the unit to malfunction.
- **Do not place appliances which produce open fire in places exposed to the air flow from the unit or under the indoor unit. It may cause incomplete combustion or deformation of the unit due to the heat.**
- **Arrange the drain hose to ensure smooth drainage. Incomplete drainage may cause wetting of the building, furniture etc.**
- **Do not place the controller exposed to direct sunlight.**
The LCD display may get discolored, failing to display the data.
- **Do not wipe the controller operation panel with benzine, thinner, chemical dustcloth, etc.**
The panel may get discolored or the coating peeled off. If it is heavily dirty, soak a cloth in water-diluted neutral detergent, squeeze it well and wipe the panel clean. And wipe it with another dry cloth.

- **Dismantling of the unit, treatment of the refrigerant, oil and eventual other parts, should be done in accordance with the relevant local and national regulations.**
 - **Do not dry the filter by exposing it to direct sunlight or warming it using fire, etc. Doing so can result in the deformation of the filter.**
-

- FXMQ30MVJU
- FXMQ36MVJU
- FXMQ48MVJU



NAME OF PARTS


Refer to figure 1 on page 4

1. Air outlet
2. Remote controller
3. Suction grille

MAINTENANCE

HOW TO CLEAN THE AIR FILTER

(The air filter is an optional accessory.)

Clean the air filter when the display shows “” (TIME TO CLEAN AIR FILTER).

Increase the frequency of cleaning if the unit is installed in a room where the air is extremely contaminated.

(As a yardstick for regulating yourself, consider cleaning the filter.)

1. Remove the air filters.

Refer to the manual of the optional accessory.

2. Clean the air filter.

Use vacuum cleaner **A)** or wash the air filter with water **B)**.

- A)** Using a vacuum cleaner
(Do not use air of 120°F or higher)



B) Washing with water

To clean the air filter, use soft brush and neutral detergent.

(Do not use water of 120°F or higher)




Remove water and dry in the shade.

3. Fix the air filter.

Refer to the manual of the optional accessory.

4. Press the FILTER SIGN RESET BUTTON on the remote controller.

The display “” (TIME TO CLEAN AIR FILTER) vanishes.

(For details, see the operation manual for the outdoor unit.)

NOTE

- Do not remove the air filter except when cleaning. Unnecessary handling may damage the filter.

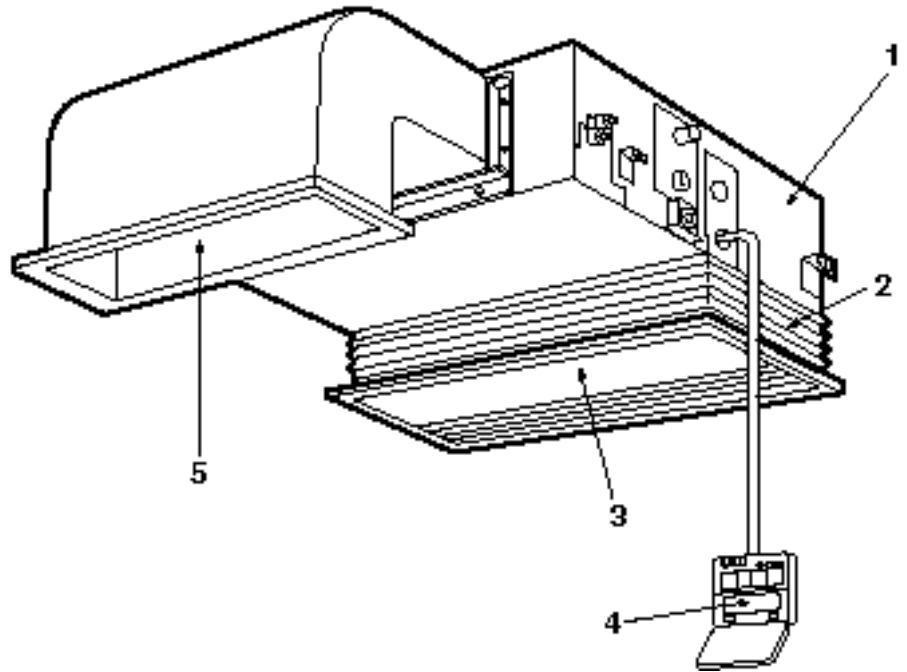
HOW TO CLEAN AIR OUTLET AND OUTSIDE PANELS

1. Clean with soft cloth.
2. When it is difficult to remove stains, use water or neutral detergent.

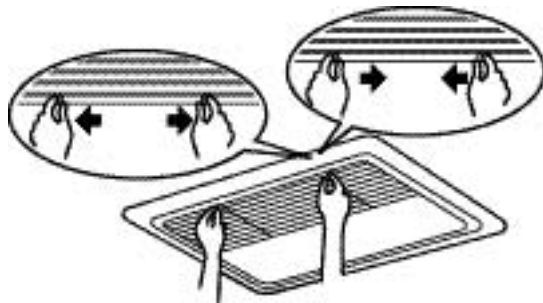
NOTE

- Do not use gasoline, benzene, thinner, polishing powder, liquid insecticide. It may cause discoloring or warping.
- Do not let the indoor unit get wet. It may cause an electric shock or a fire.

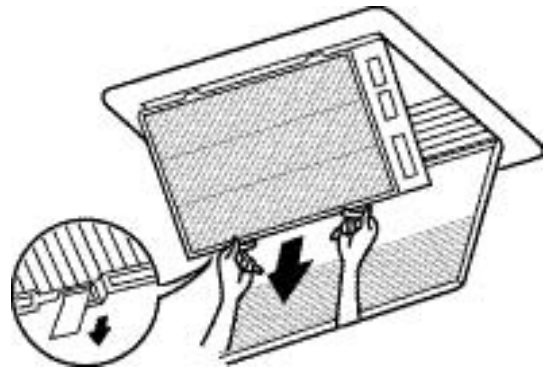
- FXSQ12MVJU FXSQ30MVJU
- FXSQ18MVJU FXSQ36MVJU
- FXSQ24MVJU FXSQ48MVJU



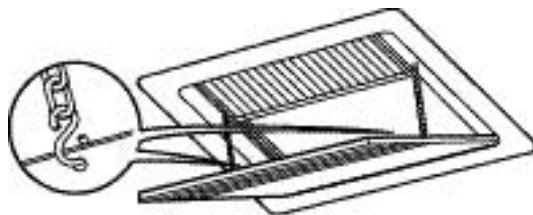
2



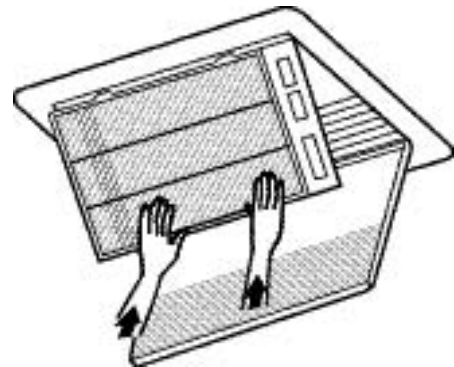
3



5



4



6


NAME OF PARTS

Refer to figure 2 on page 6

1. Condensate pumping out device (built-in)
Condensate water removed from the room during cooling
2. Air filter (Inside suction grill)
3. Decoration panel (Option)
This is where room air is drawn in.
4. Remote controller
5. Air outlet

MAINTENANCE

HOW TO CLEAN THE AIR FILTER

Clean the air filter when the display shows “” (TIME TO CLEAN AIR FILTER).

Increase the frequency of cleaning if the unit is installed in a room where the air is extremely contaminated.
(As a yardstick for regulating yourself, consider cleaning the filter once a half year.)

1. Open the suction grille.

Slide both knobs simultaneously as shown and then pull them downward. (Do the same procedure for closing.)

Refer to figure 3 on page 6

NOTE

- Do not let go of the suction grille when opening or closing it.
If released, the grille will spring back closed.

If chains are present

Unhook the chains.

Refer to figure 4 on page 6

2. Remove the air filters.

Pull the air filter tabs toward you, and pull the filter downward.

Refer to figure 5 on page 6

3. Clean the air filter.

Use vacuum cleaner **A)** or wash the air filter with water **B).**

- A)** Using a vacuum cleaner
(Do not use air of 120°F or higher)



B) Washing with water

To clean the air filter, use soft brush and neutral detergent.

(Do not use water of 120°F or higher)



Remove water and dry in the shade.

4. Fix the air filter.


Align the two hangers and push the air filter up.
Confirm that four hangers are fixed.

Refer to figure 6 on page 6

5. Shut the suction grille.

Refer to item No. 1.

6. Press the FILTER SIGN RESET BUTTON on the remote controller.

The display “” (TIME TO CLEAN AIR FILTER) vanishes.

(For details, see the operation manual for the outdoor unit.)

NOTE

- Do not remove the air filter except when cleaning.
Unnecessary handling may damage the filter.

HOW TO CLEAN AIR OUTLET AND OUTSIDE PANELS

1. Clean with soft cloth.

2. When it is difficult to remove stains, use water or neutral detergent.

NOTES

- Do not use gasoline, benzene, thinner, polishing powder, liquid insecticide. It may cause discoloring or warping.
- Do not let the indoor unit get wet. It may cause an electric shock or a fire.
- Clean the air suction grille when it is shut.

Daikin US Corporation

375 Park Avenue, Suite 3308
New York, NY 10152

☐☐
www.daikinac.com
info@daikinac.com

☐☐

